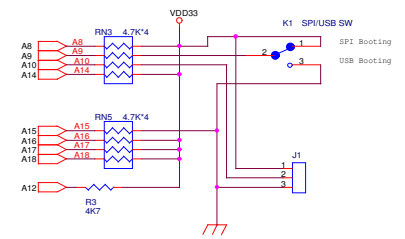
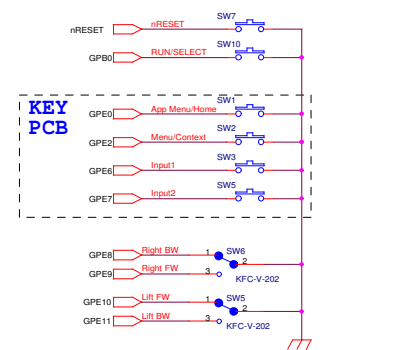


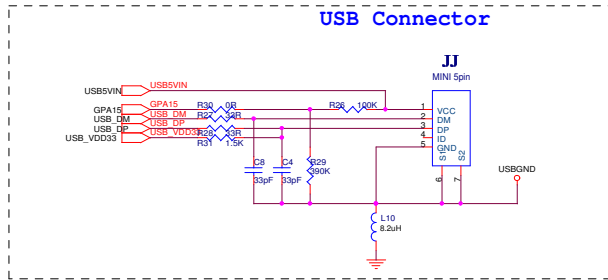
BOOTING



KEY PCB

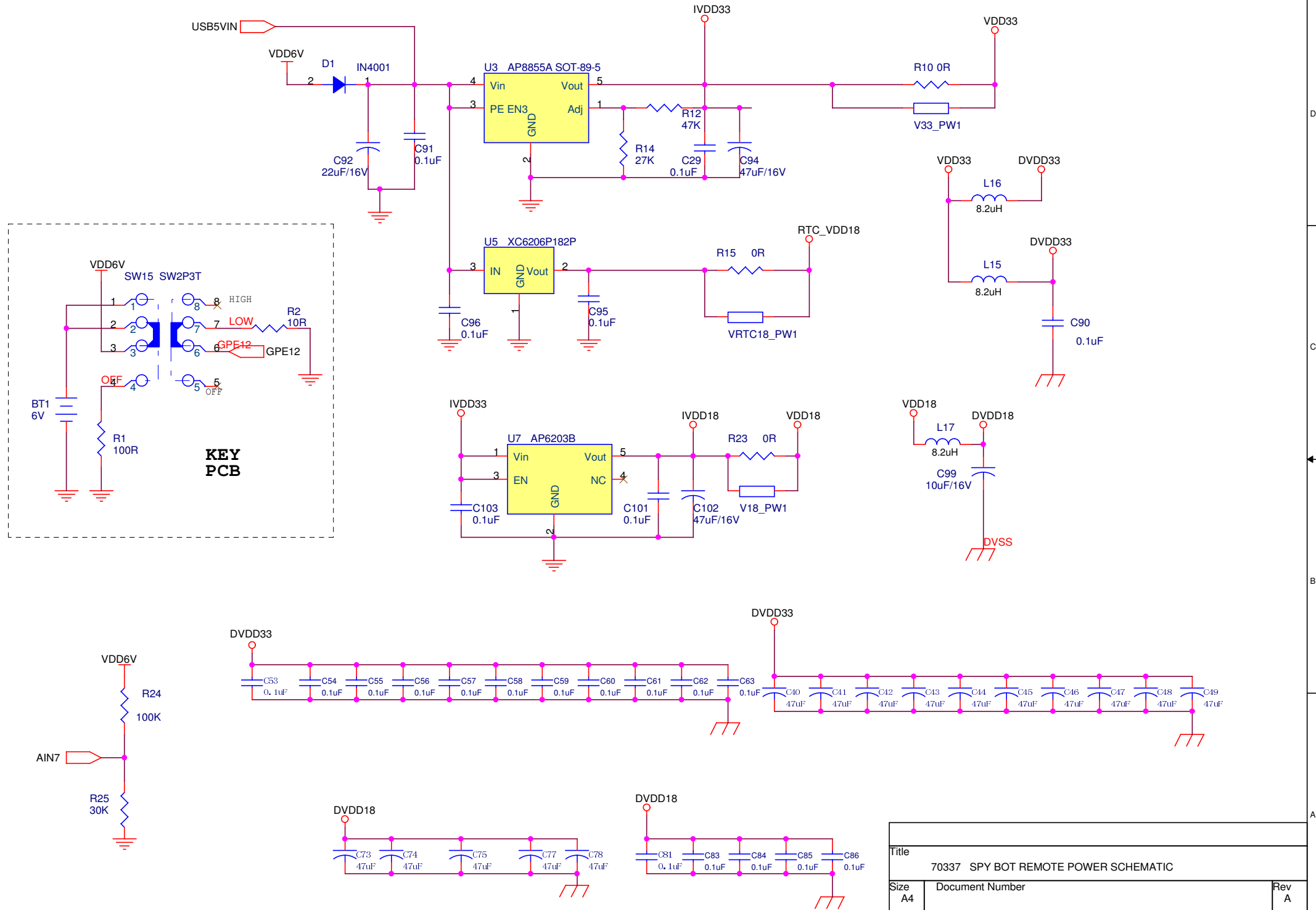


USB Connector

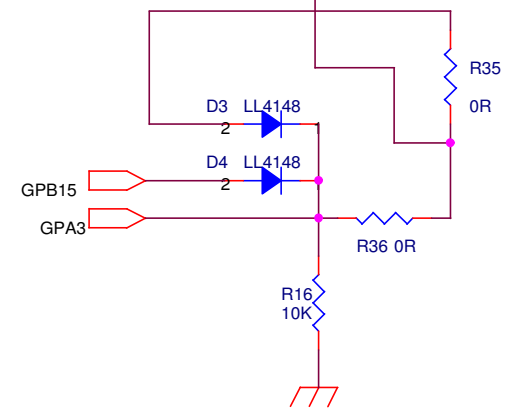
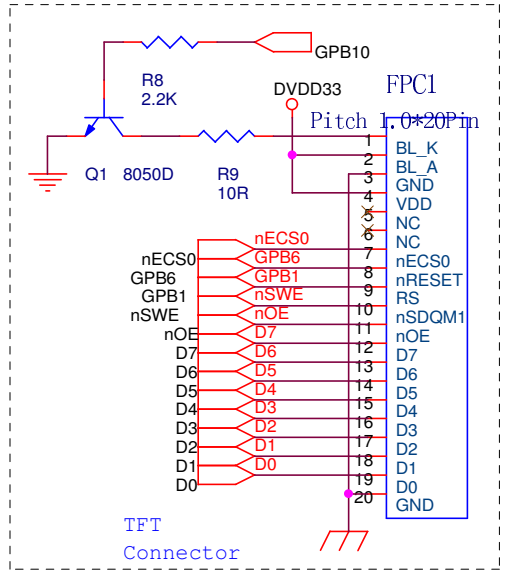
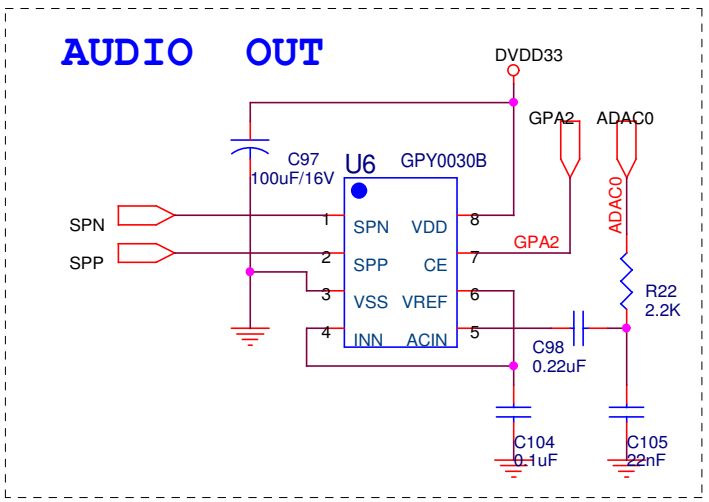
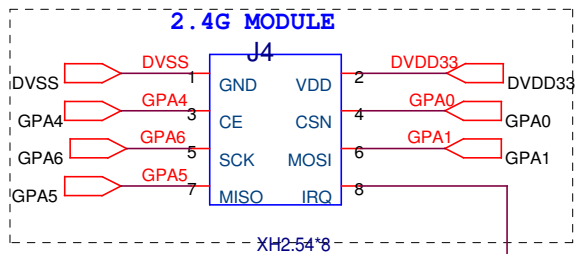
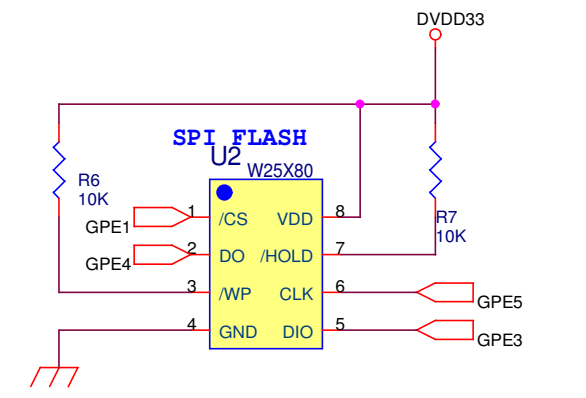
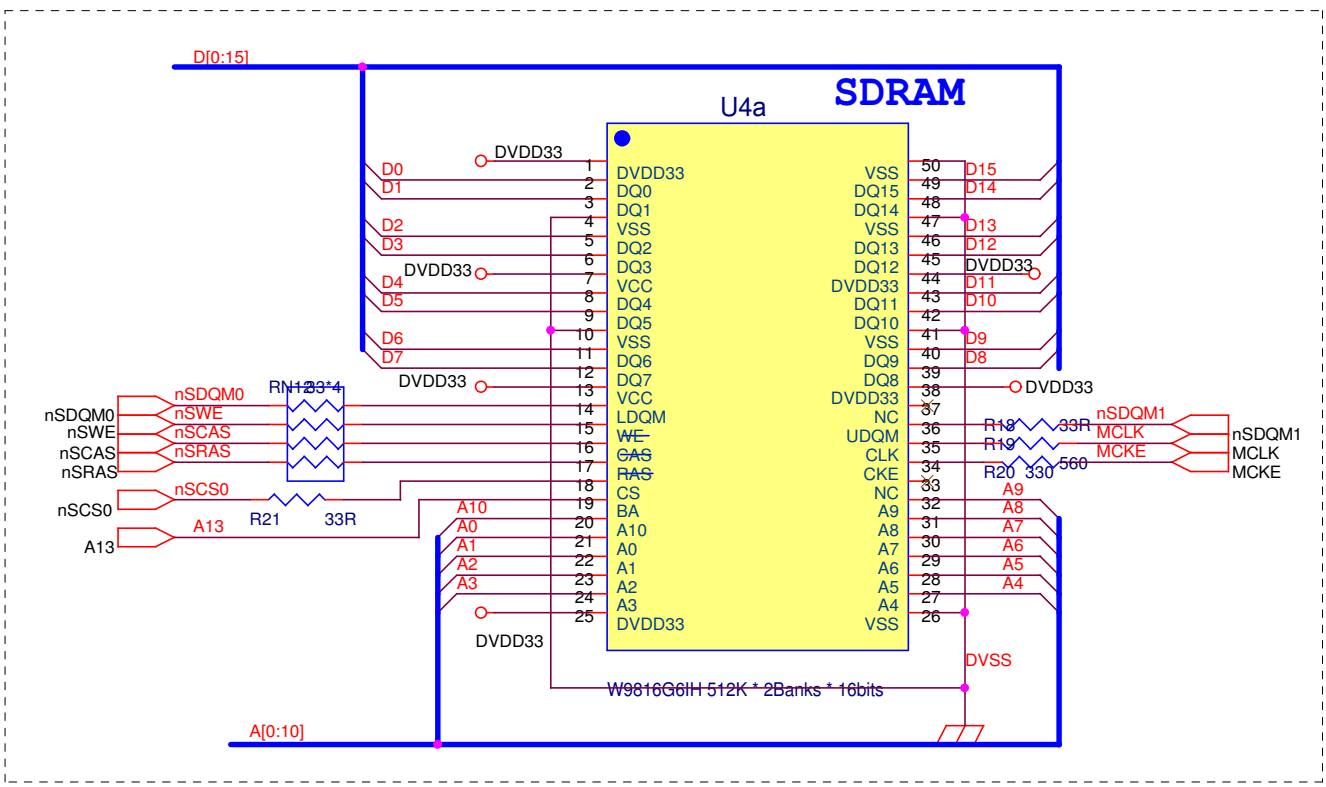


U1
W55VA91(COB)

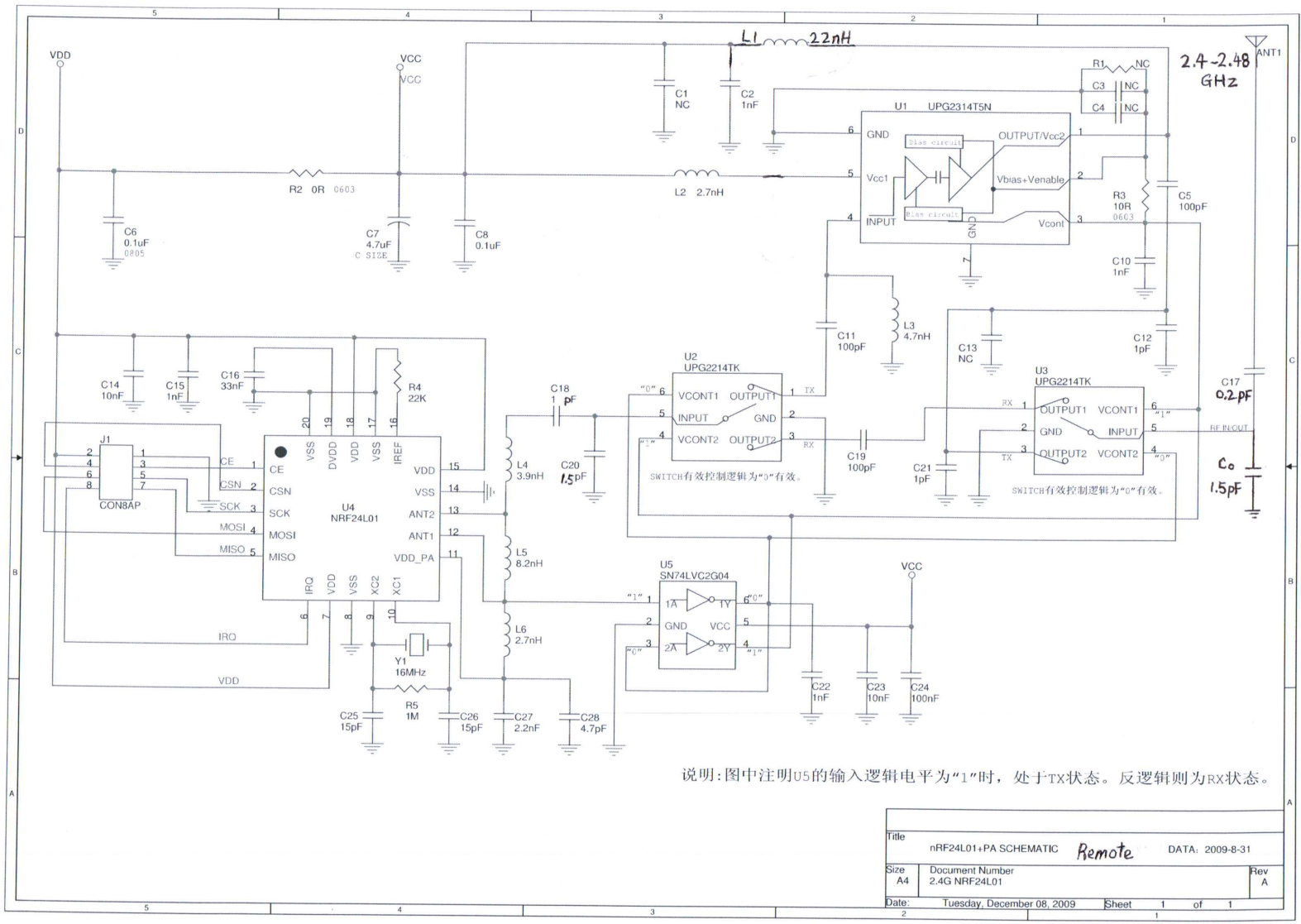
| | | |
|-------|---------------------------------------|--------------|
| Title | 70337 SPY TRAKR REMOTE MAIN SCHEMATIC | |
| Size | Document Number | Rev A |
| Date: | Monday, April 19, 2010 | Sheet 1 of 3 |



| | | |
|--------------------------------------|-----------------|-------|
| Title | | |
| 70337 SPY BOT REMOTE POWER SCHEMATIC | | |
| Size A4 | Document Number | Rev A |
| Date: Monday, April 19, 2010 | Sheet 2 | of 3 |



| | | |
|--|------------------------|--------------|
| Title | | |
| 70337 SPY BOT REMOTE 2.4G&SDRA TFT AUDIO SPIFLAH SCHEMATIC | | |
| Size | Document Number | Rev |
| A4 | | A |
| Date: | Monday, April 19, 2010 | Sheet 3 of 3 |



说明:图中注明U5的输入逻辑电平为“1”时,处于TX状态。反逻辑则为RX状态。

| | | |
|------------------------------|----------------------------|-----------------|
| Title | | |
| nRF24L01+PA SCHEMATIC Remote | | DATA: 2009-8-31 |
| Size | Document Number | Rev |
| A4 | 2.4G NRF24L01 | A |
| Date: | Tuesday, December 08, 2009 | Sheet 1 of 1 |